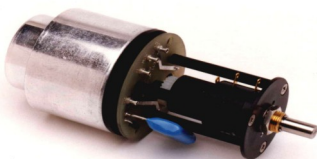


AC Motorized Potentiometers

AC Voltage

Type	Watt	Resistance	Description	Model
Single turn Wirewound	0.5	10 ohm to 20K	Potentiometer life expectancy 1 million turns, with black anodized aluminum housing	MAC2E
Single turn Wirewound	0.5	10 ohm to 20K	MAC2E with circuit board (contains mounted starting capacitor, braking diode and solder terminals)	MAC2EC
Single turn Wirewound	0.5	1K/1K, 2K/2K, 3K/3K, 5K/5K, 5K/10K, 10K/10K	Dual gang potentiometer for feedback.	MAC2ED
Single turn Wirewound	0.75	50 ohm to 20K	Uses Hi-Rel, precision quality potentiometer with metal housing	MAC5100
Single turn Conductive plastic	1	500 ohm to 20K Standard	Potentiometer life expectancy 20 million turns, with black anodized aluminum housing	MAC2P
Single turn Conductive plastic	1	500 ohm to 100K	MAC2P with circuit board	MAC2PC
Single turn Conductive plastic	2	1K to 100K	Uses 1.5" diameter potentiometer with 50,000,000 turn rotational life, essentially infinite resolution, low inductance	MAC4P
Single turn Conductive plastic	2	500 ohm to 100K	MAC4P with circuit board	MAC4PC
10 turn Wirewound	2	100 ohm to 100K	General Purpose. Long life (two million turns). High reliability.	MAC20
10 turn Wirewound	2	100 ohm to 100K	MAC20 with Circuit board	MAC20C
10 turn wirewound	2	100 ohm to 100K	General purpose, 1 million turns life expectancy, high temp thermo plastic housing on potentiometer	MAC2W
10 turn Wirewound	2	100 ohm to 100K	MAC2W with circuit board	MAC2WC
10 turn Wirewound	2	1K/1K, 2K/2K, 3K/3K, 5K/5K, 5K/10K, 10K/10K	Dual Gang for feedback with circuit board	MAC2WCD
10 turn Wirewound	2	100 ohm to 100K	Potentiometer with switches	MAC5167
10 turn Wirewound	5	10 ohm to 100K	With snap action switches at each end of travel on potentiometer	MAC4RC



ole On Line Controls Inc.

"Supplying over 25 years of quality and reliability"

On Line Controls, Inc, 9A Kane Industrial Dr., Hudson, MA 01749-2905 USA www.onlinecontrols.com
 Phone: 978-562-5353 * 800-653-7208 * Fax: 978-562-8986 * Email: olc@onlinecontrols.com

AC Motorized Potentiometers

Selection Guide

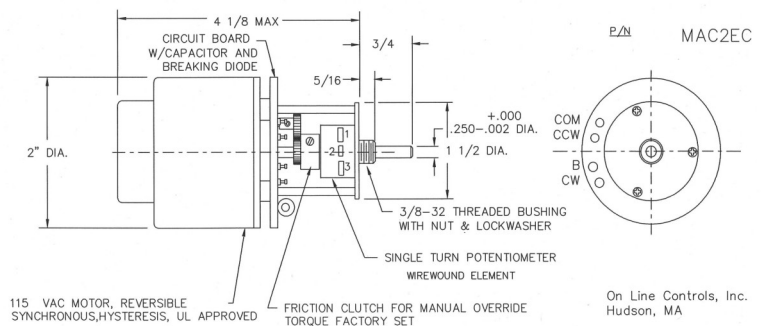
Motorized Potentiometers are high precision proportional controls for automating analog driven devices. Each model contains a slip clutch to protect the potentiometers end stops and allow for manual adjustment. Our manually adjustable motorpots combine pot, gear and motor in a small, efficient package. AC motor pots include starting capacitor and dynamic braking diode. Some models have a circuit board with mounted starting capacitor, braking diode and solder terminals.

Potentiometer considerations:

1. Resistance value (ohmage).
10, 20, 50, 100, 200, 500 ohms, 1K, 2K, 5K, 10K, 20K, 50K and 100K depending on model.
2. Wattage (.5, 1, 2, or 5 watt)
3. Type
 - A. Conductive Plastic element for long life and essentially infinite resolution.
For use when wiper current will not exceed 5 milliamps.
 - B. Wirewound element for better stability and lower temperature coefficient.
For when using the potentiometer as variable resistor.
Wiper current must not exceed 50 milliamps
 - C. Hybrid element is made with conductive plastic over a wirewound element.
Lower inductance, better resolution and longer life.
4. Single-turn (for low resolution applications) or Multi-turn (10-turn) (3 or 5 turn available upon special request)
5. Single, dual or triple gang for feedback purposes.

Motor Considerations:

1. Operating Voltage— 115 VAC reversible motor (24 VAC is available)
1. RPM (turns per minute) desired.
Available 1, 2, 3, 5, 10, or 15
3. All motors have a 6" red and black connector wires and two ground wires from the motor or a circuit board with turrets for connections.
4. Motors are UL and CSA approved but are not ROHS compliant at this time



Ordering Guidelines

1. Model No.	2. Potentiometer Resistance	3. Motor Voltage	4. RPM
MAC20	1K	115 VAC	10 RPM
MAC2PCD	2K/2K	115 VAC	5 RPM
MAC2EC	20K	115 VAC	2 RPM



"Supplying over 25 years of quality and reliability"

On Line Controls, Inc, 9A Kane Industrial Dr., Hudson, MA 01749-2905 USA www.onlinecontrols.com
Phone: 978-562-5353 * 800-653-7208 * Fax: 978-562-8986 * Email: olc@onlinecontrols.com